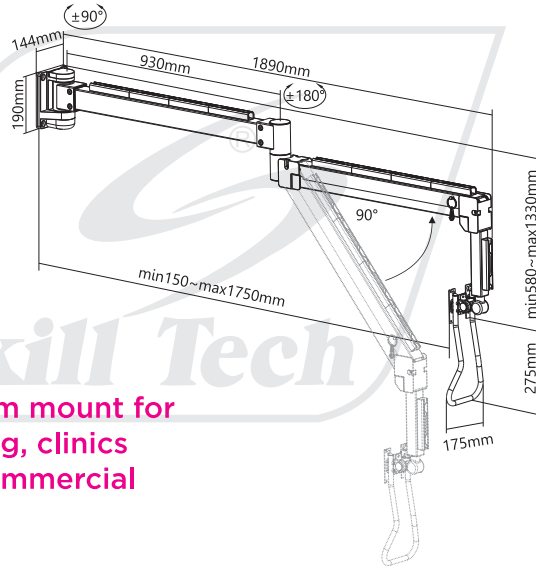


SHA34-112

Extended Reach Wall-Mounted Monitor Arm



Extended arm mount for assisted living, clinics and other commercial applications.



Screen Size
17"-32"



VESA Compatible
75x75,100x100



Profile to Wall
150-1750mm/
5.9"-68.9"



Weight Capacity
2-8kg/
4.4-17.6lbs



Tilt Range
0° - 90°



Swivel Range
+180° - -180°



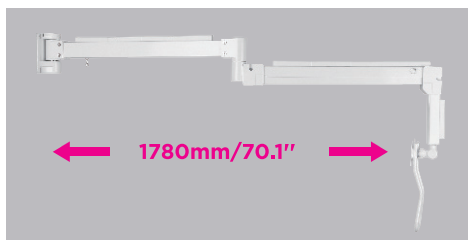
Screen Rotation
+180° - -180°



Screen Level
+3° - -3°



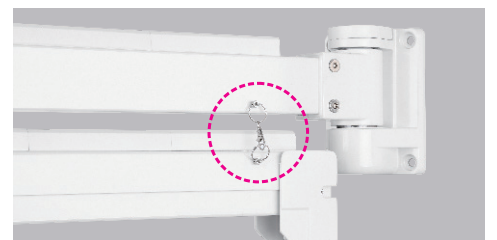
Cable Management



Extended Arm Length
accommodates most users.



Integrated Cable Management
keeps everything organized.



Folding Lockable Mechanism
tightly locks folding arms for space saving when not in use.